



Lubricator

L1000/L3000/L4000/L8000 Series

Supplying fine oil mist.
Port size: Rc1/8 to Rc1

JIS symbol



CAD DATA AVAILABLE.

Specifications

Descriptions	L1000	L3000	L4000	L8000
Appearance				
Working fluid	Compressed air			
Max. working pressure	MPa 1.0			
Withstanding pressure	MPa 1.5			
Working temperature	°C 5 to 60			
Min. dosing flow rate Note 1	m ³ /min (ANR)			
Oil storage capacity	cm ³ 20	85	170	170 (MAX360)
Use oil	Turbine oil Class 1 ISO VG32 (spindle oil is not available.)			
Port size	Rc 1/8 and 1/4 (use an adaptor for 3/8.)	1/4 and 3/8 (use an adaptor for 1/2.)	1/4, 3/8 and 1/2 (use an adaptor for 3/4.)	3/4 and 1 (use an adaptor for 1 1/4.)
Product mass	kg 0.1	0.28	0.45	1.4
Standard accessories	Bowl guard			

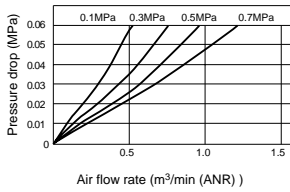
Note 1: The minimum dosing flow rate is the rate that 5 drops of turbine oil are dosed per minute where the primary side pressure is 0.5MPa. (Not available for dry fog)

Float switch electrical specifications

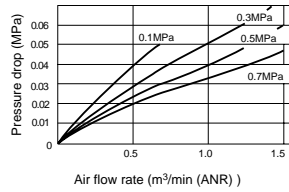
Descriptions	
Control point quantity	1 point
Operation	Switch OFF by float rising (oil full), and switch ON by float lowering (no oil)
Max. service voltage	AC240V, DC200V
Max. contact capacitance	50VA or 50W, either smaller one
Max. open and close current	0.5A
Withstanding pressure between contacts	DC400V for 1 min., leak current 1mA or less
Contact resistance	220mΩ or less (between terminal sections)
Insulation resistance	100MΩ and over (between terminal and case, at DC500V megger)
Withstand voltage	AC1500V for 1 min (between terminal and case)
Electric service life	10 ⁶ cycles (AC200V, 200mA and resistance load)

Flow characteristics

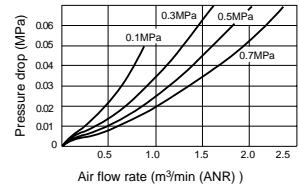
• L1000-6



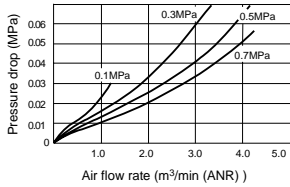
• L1000-8



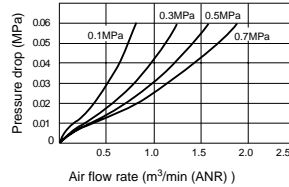
• L3000-8



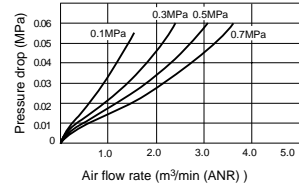
• L3000-10



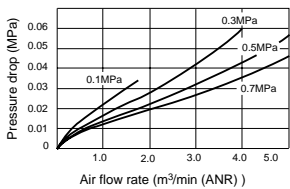
• L4000-8



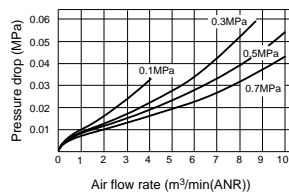
• L4000-10



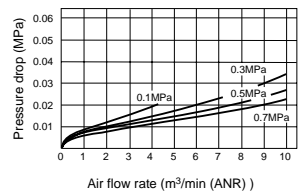
• L4000-15



• L8000-20



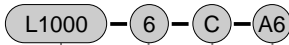
• L8000-25



- Refrigerating type dryer
- Desiccant type dryer
- High polymer membrane dryer
- Air filter
- Automatic drain other
- F.R.L (Module)**
- F.R.L (Separate)
- Small F.R.
- Precise R.
- Electro pneumatic R.
- Auxiliary
- Flow control valve
- Silencer
- Check valve / others
- Joint / tube
- Vacuum F.
- Vacuum R.
- Vacuum generator
- Vacuum auxiliary / pad
- Mechanical pressure SW
- Electronic pressure SW
- Electronic dif. pres. SW
- Sealing / dose contact conf. SW
- Pressure SW for coolant
- Flow sensor for air
- Total air system
- Water cooling refrigerator
- Flow sensor for water

Lubricator Series

How to order



A Model

B Port size

C Option
Note 1
Note 2
* Refer to Page 267 for explanation on options.

D Attachment
Note 3
Note 4

A Model			
L1000	L3000	L4000	L8000

Symbol	Descriptions					
B Port size						
6	Rc1/8	●				
8	Rc1/4	●	●	●		
10	Rc3/8		●	●		
15	Rc1/2			●		
20	Rc3/4				●	
25	Rc1				●	
C Option						
Drainage	Blank	Without manual cock	●	●	●	●
	C	With manual cock				
	LL	With float switch		●	●	●
Bowl material	Blank	Polycarbonate bowl	●	●	●	●
	Z	Nylon bowl	●	●	●	●
	M	Metal bowl		●	●	●
D Attachment						
A6	Rc1/8 piping adapter set	●				
A8	Rc1/4 piping adapter set	●	●	●		
A10	Rc3/8 piping adapter set	●	●	●		
A15	Rc1/2 piping adapter set		●	●		
A20	Rc3/4 piping adapter set			●	●	
A25	Rc1 piping adapter set				●	
A32	Rc1 1/4 piping adapter set				●	
B	C type bracket	●	●	●	●	

⚠ Note on model No. selection

Note 1: When selecting multiple options, write them from the top.
Note 2: If "L" is selected for pressure range, a low pressure gauge (0-0.4MPa) is provided.

Note 3: A piping adaptor set A*00-** (refer to page 586) is attached.

Note 4: Refer to "auxiliary components" (Page 557 to) for attachments.

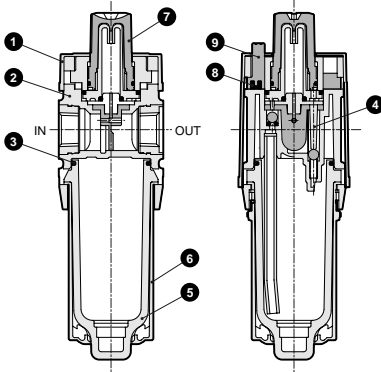
Also, a piping adapter set and a C type bracket can not be used together.

Combination of drainage and bowl material (model no. section ©) Option • With float switch

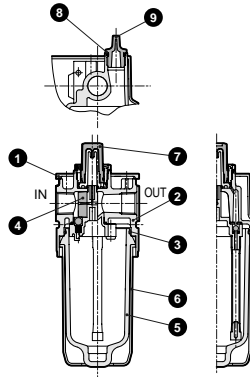
3000 / 4000 / 8000 series			
Shape			
Material	Plastic bowl		Metal bowl
	Polycarbonate	Nylon	Aluminum
Lubricator L * 000	LL	LLZ	LLM

Internal structure and parts list

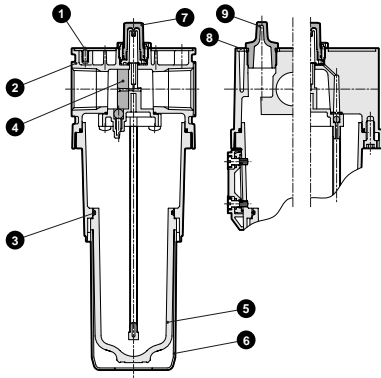
• L1000



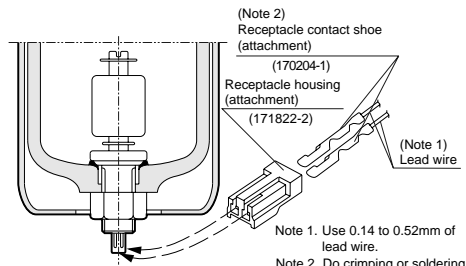
• L3000 / L4000



• L8000



• Optional float switch



The terminal of JAPAN M.B. (stock) post header (No.AMP171825-2) is used. Applicable connectors are AMP171822-2 (standard type) and AMP172142-2 (low-profile type).

No.	Part name	Material			
		L1000	L3000	L4000	L8000
1	Plate cover	ABS resin			
2	Body	Polyamide resin and steel	Aluminum ally die casting		
3	O ring	Note 1	Special nitrile rubber		
4	Flow guide	Urethane rubber resin		Nitrile rubber	
5	Bowl	Polycarbonate resin			
6	Bowl guard	Polyamide resin	Polyamide resin and steel		
7	Adjusting dome	Polycarbonate resin			
8	O ring	Nitrile rubber			
9	Filling plug	Polyacetal resin			

Note 1: O ring of L1000 has the special shape.


Refrigerating type dryer
Desiccant type dryer
High polymer membrane dryer
Air filter
Automatic drain other
F.R.L. (Module)
F.R.L. (Separate)
Small F.R.
Precise R.
Electro pneumatic R.
Auxiliary
Flow control valve
Silencer
Check valve / others
Joint / tube
Vacuum F.
Vacuum R.
Vacuum generator
Vacuum auxiliary / pad
Mechanical pressure SW
Electronic pressure SW
Electronic dif. pres. SW
Sealing / close contact conf. SW

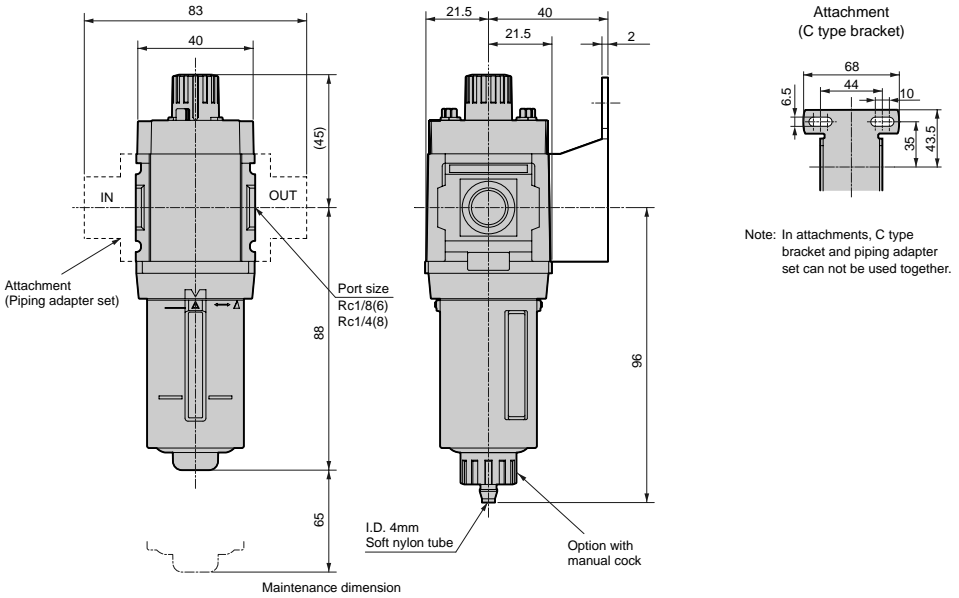
Pressure SW for coolant
Flow sensor for air
Total air system


Water cooling refrigerator
Flow sensor for water

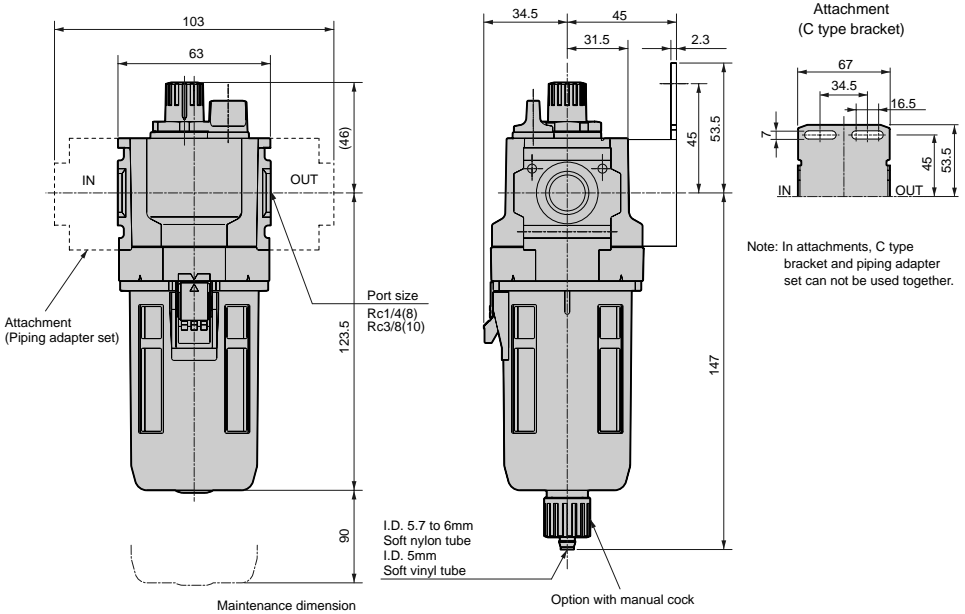
F.R.L. unit
Lubricator

Dimensions


- L1000  (File name: Page 364 or Ending 16)

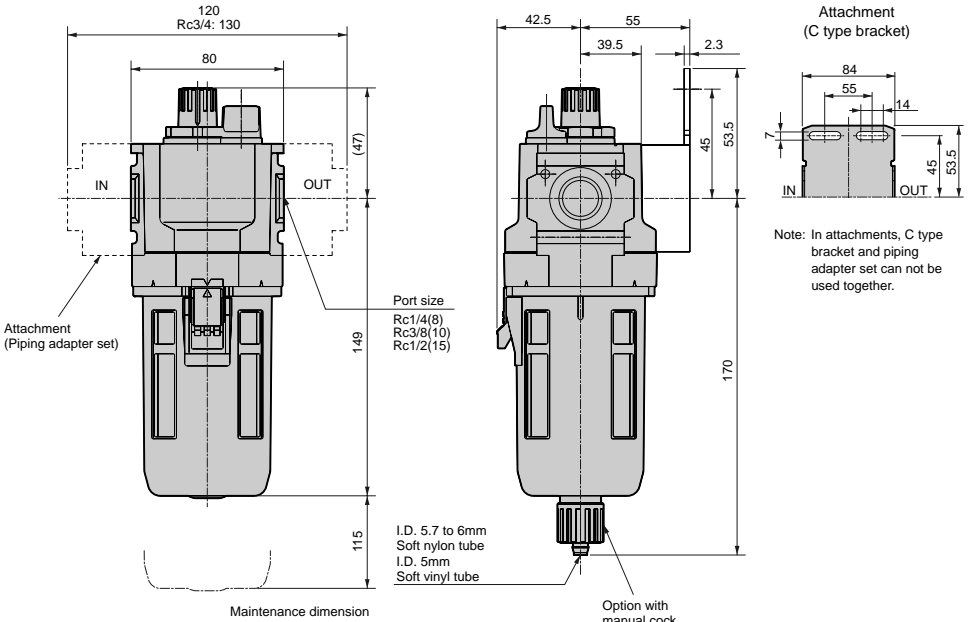


- L3000  (File name: Page 364 or Ending 16)




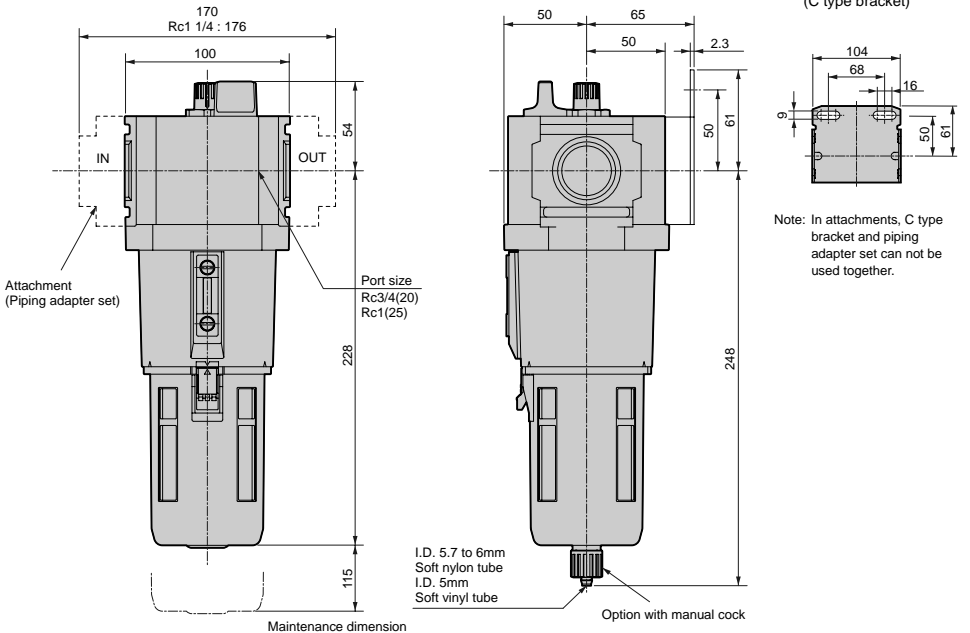
Dimensions

- L4000  (File name: Page 364 or Ending 16)



Note: In attachments, C type bracket and piping adapter set can not be used together.

- L8000  (File name: Page 364 or Ending 16)

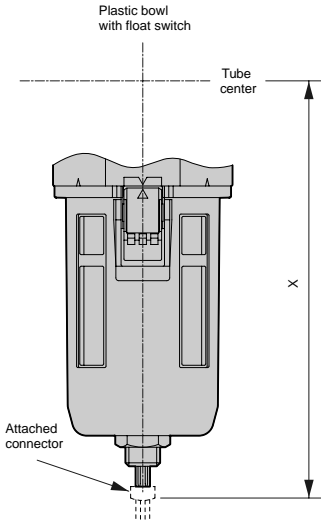


Refrigerating type dryer
Desiccant type dryer
High polymer membrane dryer
Air filter
Automatic drain other
F.R.L (Module)
F.R.L (Separate)
Small F.R.
Precise R.
Electro pneumatic R.
Auxiliary
Flow control valve
Silencer
Check valve / others
Joint / tube
Vacuum F.
Vacuum R.
Vacuum generator
Vacuum auxiliary / pad
Mechanical pressure SW
Electronic pressure SW
Electronic dif. pres. SW
Seating / close contact conf. SW
Pressure SW for coolant
Flow sensor for air
Total air system
Water cooling refrigerator
Flow sensor for water
F.R.L. unit
Lubricator

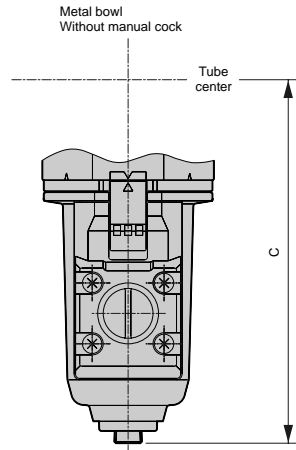
Optional dimensions

Other options [L3000, 4000, 8000]  (File name: Page 589 or Ending 20)

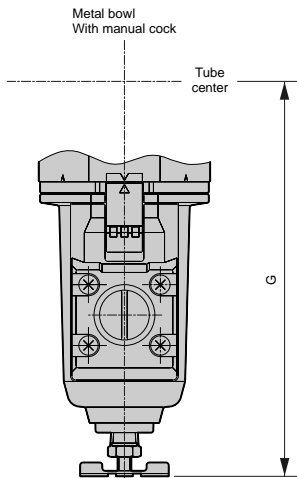
• Plastic bowl



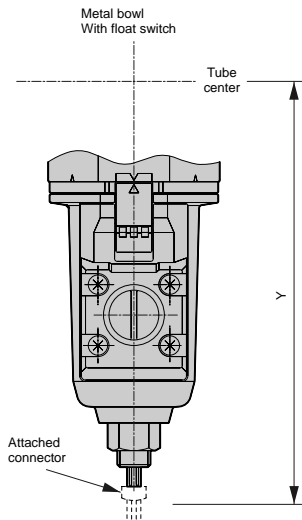
• Metal bowl without manual cock



• Metal bowl with manual cock

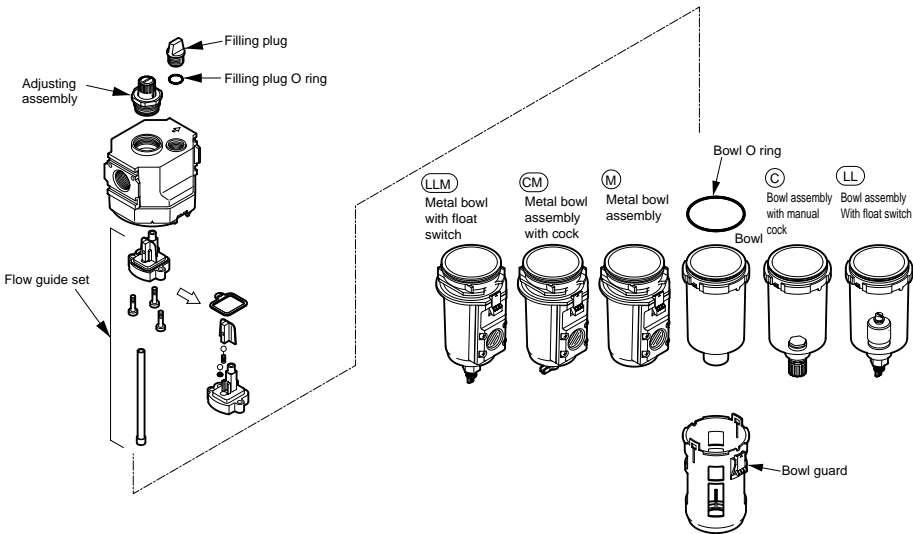


• Metal bowl with float switch



Model no.	C	G	X	Y
L3000	125	136	147	153
L4000	148	159	169	176
L8000	226	234	242	254

Optional parts drawing



Repair kits (set of filling plug O ring, adjusting assembly, flow guide set and bowl O ring)

Model no.	Repair kits model no.
L3000	L3000-KIT
L4000	L4000-KIT
L8000	L8000-KIT

Bowl assembly (set of bowl assembly and bowl O ring)

Bowl assembly model no.	Polycarbonate bowl without cock (blank)	Nylon bowl without cock (Z)	Metal bowl without cock (M)	Polycarbonate bowl with cock (C)	Nylon bowl with cock (CZ)	Metal bowl with cock (CM)	Polycarbonate bowl with float switch (LL)	Nylon bowl with float switch (LLZ)	Metal bowl with float switch (LLM)
L1000	L1000-BOWL	L1000-BOWL-Z	—	F1000-BOWL	F1000-BOWL-Z	—	—	—	—
L3000	L3000-BOWL	L3000-BOWL-Z	L3000-BOWL-M	F3000-BOWL	F3000-BOWL-Z	F3000-BOWL-M	L3000-BOWL-LL	L3000-BOWL-LLZ	L3000-BOWL-LLM
L4000, L8000	L4000-BOWL	L4000-BOWL-Z	L4000-BOWL-M	F4000-BOWL	F4000-BOWL-Z	F4000-BOWL-M	L4000-BOWL-LL	L4000-BOWL-LLZ	L4000-BOWL-LLM

*Refer to options / parts list of air filter for bowl guards.

Adjusting assembly

Model no.	Adjusting assembly model no.
L3000, L4000, L8000	L3000-AJ-KIT

Flow guide set

Model no.	Flow guide set model no.
L3000	L3000-FLOW-GUIDE
L4000	L4000-FLOW-GUIDE
L8000	L8000-FLOW-GUIDE

Filling plug set (set of filling plug and filling plug O ring)

Model no.	Filling plug set model no.
L3000, L4000	L3000-PLUG
L8000	L8000-PLUG

Refrigerating type dryer
Desiccant type dryer
High polymer membrane dryer
Air filter
Automatic drain other
F.R.L (Module)
F.R.L (Separate)
Small F.R.
Precise R.
Electro pneumatic R.
Auxiliary
Flow control valve
Silencer
Check valve / others
Joint / tube
Vacuum F.
Vacuum R.
Vacuum generator
Vacuum auxiliary / pad
Mechanical pressure SW
Electronic pressure SW
Electronic dif. pres. SW
Sealing / close contact conf. SW
Pressure SW for coolant
Flow sensor for air
Total air system
Water cooling refrigerator
Flow sensor for water

F.R.L. unit
Lubricator